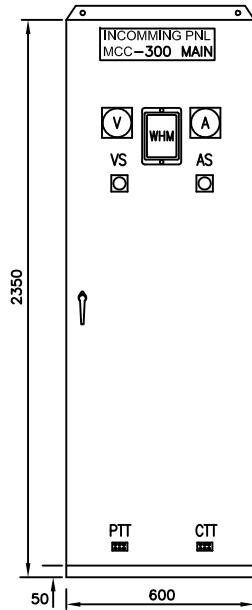
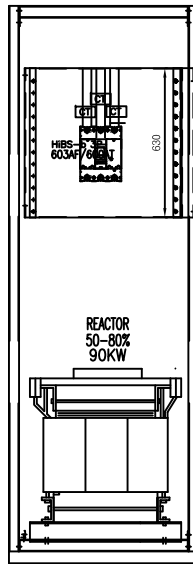


1 2 3 4 5 6 7 8 9

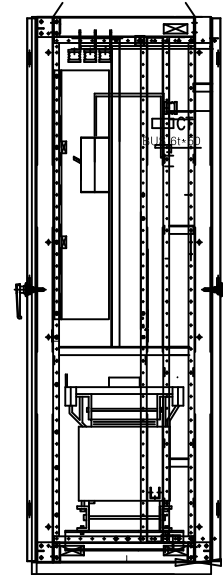
A
S-8103B
B
C
D
E
F
G



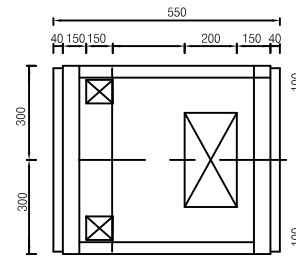
FRONT IN VIEW



FRONT VIEW



NO	NAME	MODEL	HOLE TYPE	REMAKER
1	A.V METER	WB-		경보전기
2	PL, PBL	YS(30-)	S-30	용성전기
3	CTT & PTT	3P3W		용성전기
4				
5				



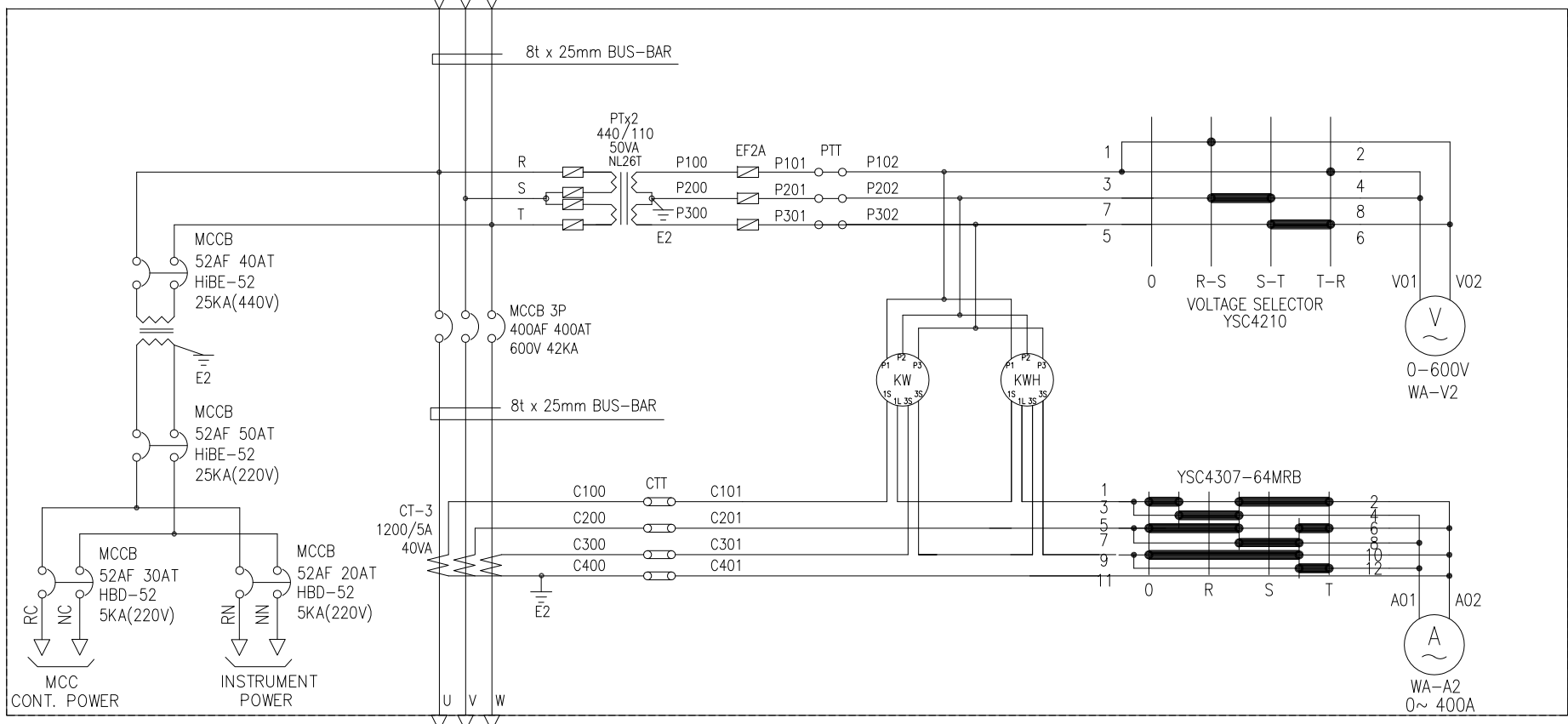
BOTTOM VIEW

* REMARKS

1. BASE SIZE : L*1200D*50H
2. BASE MATERIAL : 100*50 CHANNEL
3. APPLICATION : MCC100 MAIN ACB PANEL
4. PAINTING : MUNCELL NO. : 7.5BG 6/1.5

△							
△							
△							
△							
△							
REV.	DATE	DESCRIPTION	DRWN	CHKD	RWVD	APRVD	
CLIENT							
		(주) 호원아이엔씨 HOWON Instrument & control Co., Ltd.					
DRAWN	DATE	PROJECT					
CHECKED	DATE	TITLE					
		440V LV MCCB & REACTOR					
		LAY OUT DIAGRAM					
REVIEWED	DATE	DESIGN					
APPROVED	DATE	DESIGN					
SCALE	FILE NO.	DRAWING NUMBER				REV.	
NONE							△

FROM: LV-200 APNEL
 3P 3W 440V 60HZ
 F-CV 6-1C/150

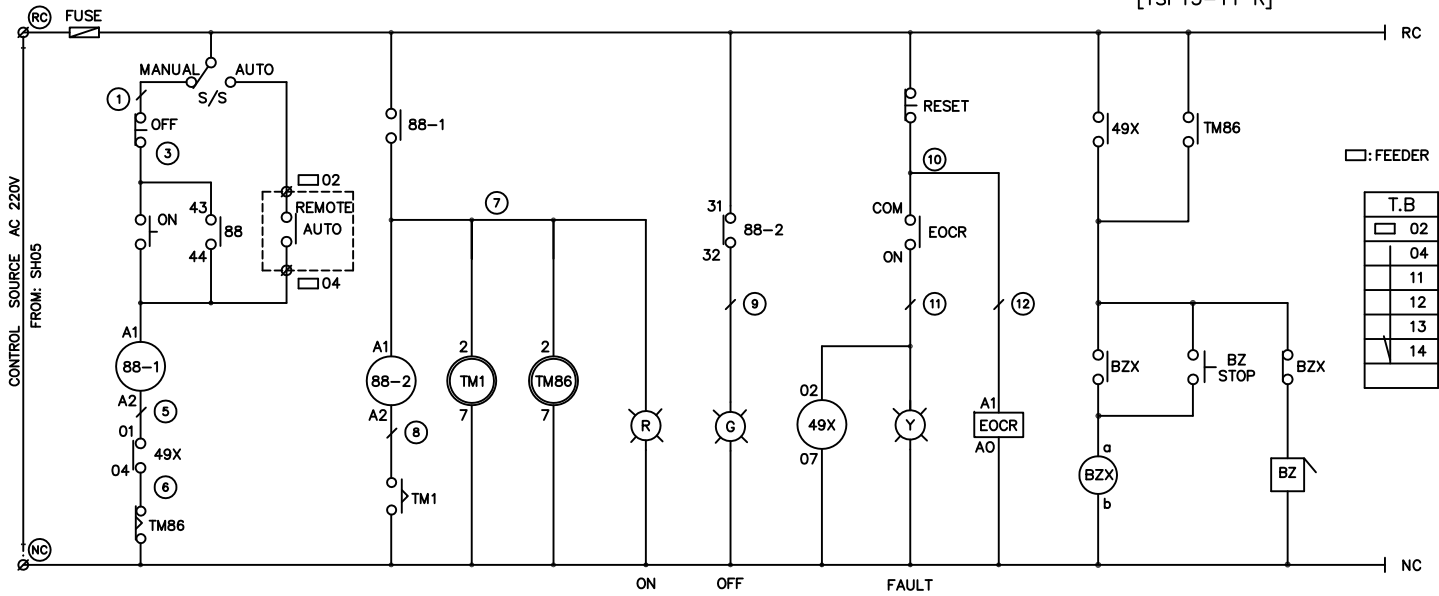
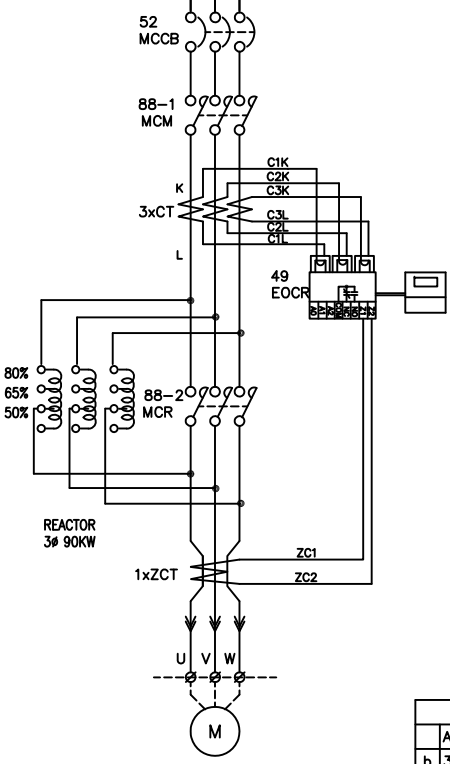
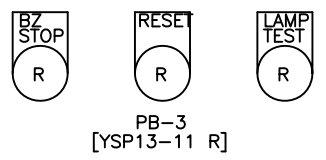
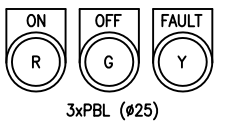


TO : MCC FEEDER

△						
△						
△						
△						
△						
REV.	DATE	DESCRIPTION	DRWN	CHKD	RWVD	APRVD
CLIENT						
		(주) 호원아이엔씨 HOWON Instrument & control Co., Ltd.				
DRAWN	DATE	PROJECT				
CHECKED	DATE	TITLE				
REVIEWED	DATE	440V LV MCCB PANEL THREE LINE DIAGRAM				
APPROVED	DATE	DESIGN				
SCALE	FILE NO.	DRAWING NUMBER			REV.	
NONE						△

1 2 3 4 5 6 7 8 9

3φ 3W 440V 60HZ
R
S
T



□: FEEDER NO.

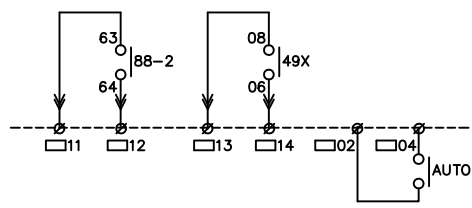
T.B	
□ 02	
□ 04	
□ 11	
□ 12	
□ 13	
□ 14	

88-1	
A1-A2	
b 31-32	
a 43-44	
b 51-52	
a 63-64	
HIMC-	

88-2	
A1-A2	
b 31-32	
a 43-44	
b 51-52	
a 63-64	
HIMC-	

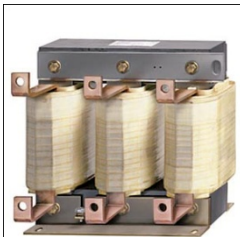
49X	
02-07	
a 01-03	
b 01-04	
b 08-05	
a 08-06	
YSMR07-2P	

BZX	
02-07	
a 01-03	
b 01-04	
b 08-05	
a 08-06	
YSMR07-2P	



TYPE : "A"

△						
△						
△						
△						
△						
REV.	DATE	DESCRIPTION	DRWN	CHKD	RWVD	APRVD
CLIENT						
(주) 호원아이엔씨 HOWON Instrument & control Co., Ltd.						
DRAWN	DATE	PROJECT				
CHECKED	DATE	TITLE				
440V LV REACTOR PANEL SEQUENCE DIAGRAM						
REVIEWED	DATE	DESIGN				
APPROVED	DATE	DESIGN				
SCALE	FILE NO.	DRAWING NUMBER		REV.		
NONE					△	



6SL3000-2BE21-0AA0

Technical specifications

DC link voltage 510 ... 720 V DC or line voltage 380 ... 480 V 3 AC		Motor reactor (for a 4 kHz pulse frequency)					
		6SE7021-0ES87-1FE0	6SL3000- 2BE21- 0AA0	6SE7022- 6ES87-1FE0	6SE7024- 7ES87-1FE0		
Rated current	A	9.2	9	23	42		
Power loss	kW	0.08	0.07	0.11	0.19		
Connection Motor Module/Motor		Screw-type terminals 4 mm ²	Screw-type terminals 4 mm ²	Screw-type terminals 10 mm ²	Flat terminator for M8 screw		
PE connection		M6 screw stud	M6 screw stud	M6 screw stud	M6 screw		
Cable length between motor reactor and motor, max.							
(number of reactors in series)		(1)	(1)	(1)	(2)	(1)	(2)
• Shielded	m (ft)	100 (328)	135 (443)	160 (525)	320 (1050)	190 (623)	375 (1230)
• Unshielded	m (ft)	150 (492)	200 (656)	240 (787)	480 (1575)	280 (919)	560 (1837)
Degree of protection		IP00	IP00	IP00		IP00	
Dimensions							
• Width	mm (in)	178 (7.01)	178 (7.01)	219 (8.62)		197 (7.76)	
• Height	mm (in)	97 (3.82)	159 (6.26)	180 (7.09)		220 (8.66)	
• Depth	mm (in)	88 (3.46)	111 (4.37)	132 (5.20)		121 (4.76)	
Weight, approx.	kg (lb)	6 (13.2)	5 (11.0)	9.5 (20.9)		20 (44.1)	

Approvals		cURus		cURus	cURus	cURus
Suitable for Motor Module in booksize format	Type	6SL3120-1TE13-0AA3 6SL3121-1TE13-0AA3 6SL3120-2TE13-0AA3 6SL3121-2TE13-0AA3	6SL3120-1TE15-0AA3 6SL3121-1TE15-0AA3 6SL3120-2TE15-0AA3 6SL3121-2TE15-0AA3	6SL3120-1TE21-0AA3 6SL3121-1TE21-0AA3 6SL3120-2TE21-0AA3 6SL3121-2TE21-0AA3	6SL3120-1TE21-8AA3 6SL3121-1TE21-8AA3 6SL3120-2TE21-8AA3 6SL3121-2TE21-8AA3	6SL3120-1TE23-0AA3 6SL3121-1TE23-0AA3
<ul style="list-style-type: none"> Rated current of the Motor Module 	A	3	5	9	18	30